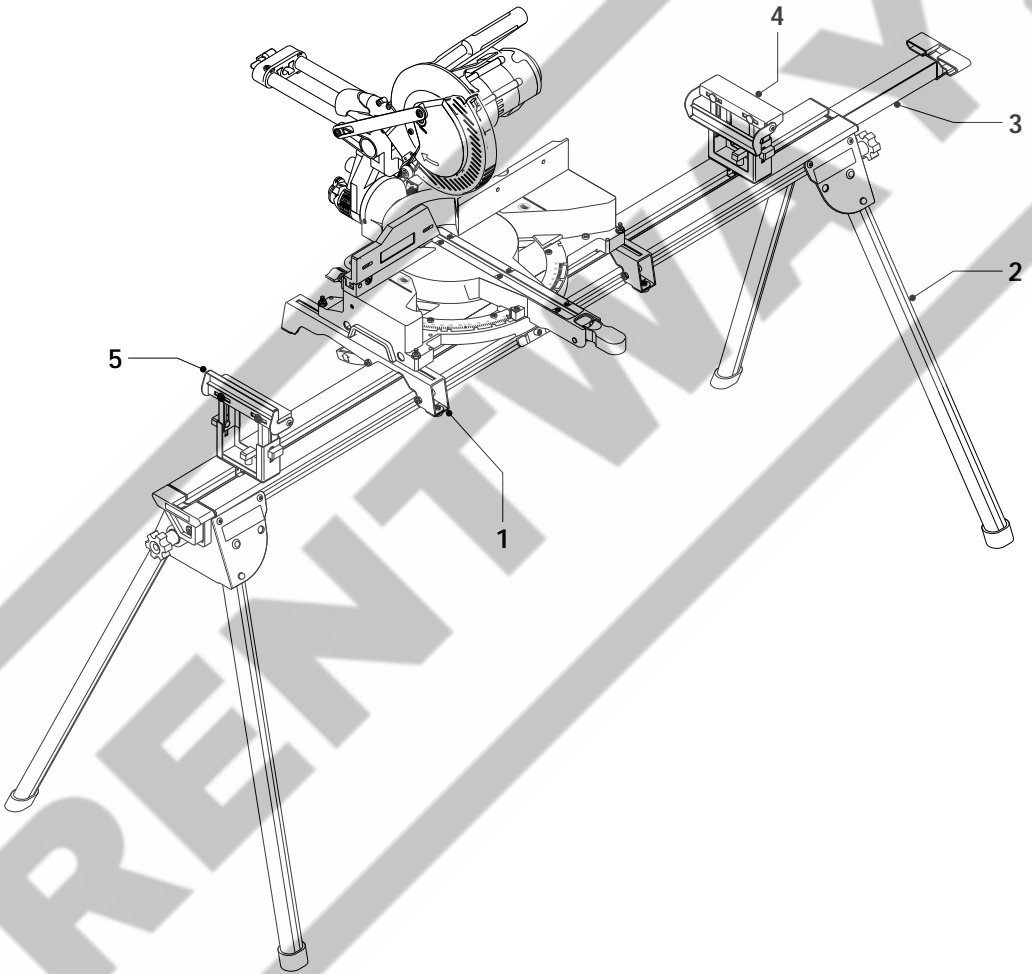


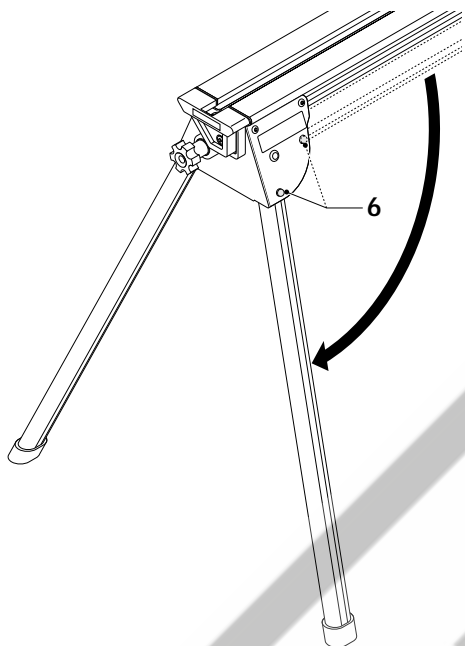
DEWALT®

RENTWAL

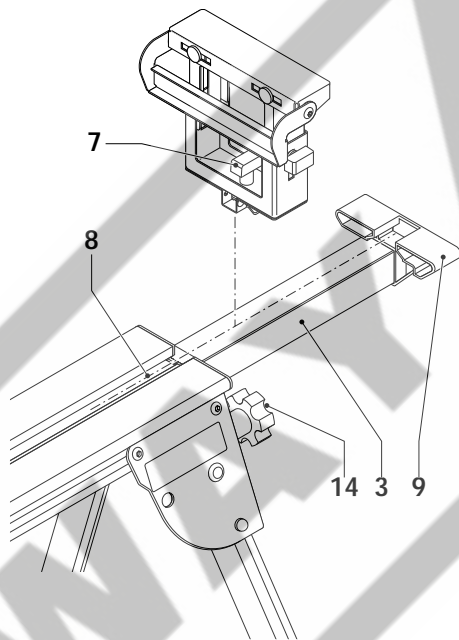
DE7023

Dansk	5
Deutsch	8
English	12
Español	15
Français	18
Italiano	21
Nederlands	24
Norsk	27
Português	30
Suomi	33
Svenska	36
Türkçe	39
Ελληνικά	43

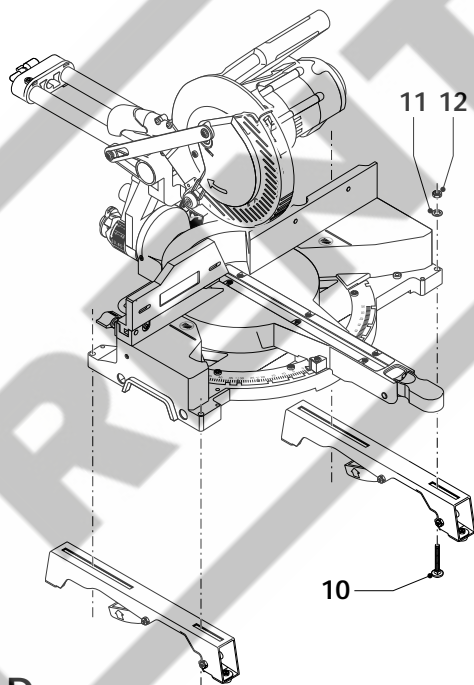




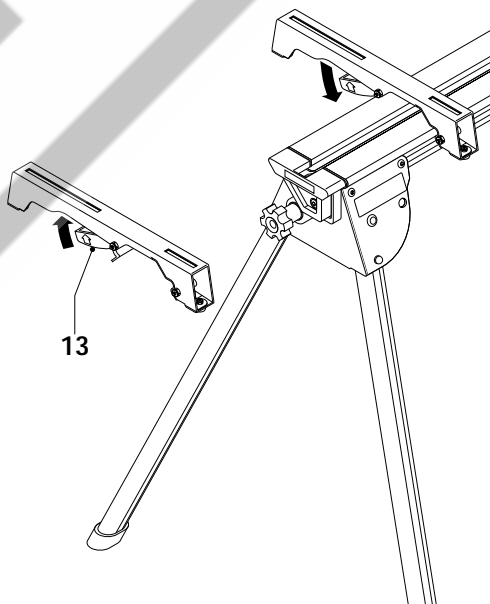
B



C



D



E

MITRE SAW LEG STAND DE7023

Congratulations!

You have chosen a DeWALT product. Years of experience, thorough product development and innovation make DeWALT one of the most reliable partners for professional users.

Technical data

	DE7023	
Length	mm	1830
Length (with bars extended)	mm	3290
Height	mm	820
Maximum working load	kg	227
Weight	kg	19.8

The following symbols are used throughout this manual:



Denotes risk of personal injury, loss of life or damage to the tool in case of non-observance of the instructions in this manual.

Manufacturer's declaration



DE7023

DeWALT declares that this unit has been designed in compliance with 98/37/EEC.

This unit must not be put into service until it was established that the Power Tool to be connected to this unit is in compliance with 98/37/EEC (identified by the CE-marking on the Power Tool).

Director Engineering and Product Development
Horst Großmann

DeWALT, Richard-Klinger-Straße 40,
D-65510, Idstein, Germany

Safety instructions

Observe the safety regulations in the instruction manual of the Power Tool to be connected to this attachment. Also observe any applicable additional safety rules. Read the following safety instructions before attempting to operate this product.

Keep these instructions in a safe place!

General

1 Keep work area clean

Cluttered areas and benches can cause accidents.

2 Keep children away

Do not let children come into contact with the tool or its attachments. Keep all people away from the work area.

3 Dress properly

Do not wear loose clothing or jewellery. They can be caught in moving parts. Preferably wear rubber gloves and non-slip footwear when working outdoors. Wear protective hair covering to keep long hair out of the way.

4 Wear safety goggles

Also use a face or dust mask in case the operations produce dust or flying particles.

5 Beware of maximum sound pressure

Take appropriate measures for the protection of hearing if the sound pressure of 85 dB(A) is exceeded.

6 Stay alert

Watch what you are doing. Use common sense. Do not operate the tool when you are tired.

7 Use appropriate tool

The intended use is laid down in this instruction manual. Do not force small tools or attachments to do the job of a heavy-duty tool. The tool will do the job better and safer at the rate for which it was intended. Warning! The use of any accessory or attachment or performance of any operation with this tool, other than those recommended in this instruction manual may present a risk of personal injury.

8 Have your Power Tool Attachment repaired by an authorized DeWALT repair agent

Repair of your Power Tool Attachment being a matter of precision and skill, always take it to your DeWALT Authorized Repair Agent.

Additional safety instructions for saw stands

9 Avoid instability

Always mount the saw as far forward as possible.

Do not use the stand on uneven or unstable surfaces. Make sure the legs are fully opened and engaged securely before use.

10 Fasten all parts securely

Loose connections between the mounting brackets, the saw and the saw stand can lead to instability and inaccurate sawing.

11 Do not overload

Do not exceed the maximum working load.
Do not climb, sit or stand on the saw stand.

Package contents

The package contains:

- 1 Mitre saw leg stand
- 2 Length stop/workpiece support assemblies (DE7024)
- 2 Mounting brackets (DE7025)
- 4 Mushroom head bolts
- 4 Nuts
- 4 Flat washers
- 1 Instruction manual
- 1 Exploded drawing

- Check for damage to the tool, parts or accessories which may have occurred during transport.
- Take the time to thoroughly read and understand this manual prior to operation.

Description (fig. A)

The mitre saw leg stand DE7023 has been designed to extend the versatility of your DeWALT mitre saw.

- 1 Saw mounting bracket
- 2 Leg
- 3 Extender bar
- 4 Workpiece support
- 5 Length stop

Assembly and adjustment

Setting up the leg stand (fig. A & B)

- Place the leg stand on the floor with the folding legs facing up.
- For each leg, push the locking pin (6) in and pull up the leg until the locking pin engages.
- Lift the stand by the centre beam and place it in an upright position.



Check that the stand is stable and make sure that the locking pins have properly engaged.

Mounting the length stop/workpiece support assembly (fig. C)

The length stop/workpiece support assembly can be used as a length stop or a workpiece support, depending on the position of the assembly.

- Slacken the locking knob (14) and slide out the extender bar (3).
- Slacken the wing bolt (7).
- Slide the assembly into the rail (8) to the required distance.
- Tighten the wing bolt (7).

Alternatively, the assembly can be fitted onto the end of the extender bar.

- Slide the assembly into the bracket (9) at the end of the extender bar as shown.
- Tighten the wing bolt (7).

Assembling the saw to the mounting brackets (fig. D)

The saw is fastened to the brackets with 4 mushroom head bolts. To accommodate the bolts, the saw base must have a hole 8,5 mm in diameter in each corner.

- Place the saw on the brackets as shown, as far forward as possible.
- Pass the mushroom head bolts (10) through the slots in the brackets and the holes in the saw base.
- Secure the bolts using the flat washers (11) and nuts (12).

If your saw does not have holes in the saw base it is possible to fasten the mounting brackets to the saw by removing the saw base feet. Pass the bolts through the saw base feet holes and secure them as described above.

The leg stand is supplied with four standard bolts and two smaller bolts. The smaller bolts must be used for fastening mitre saws with a 60° right mitre angle. Using the two smaller bolts ensures that the saw arm does not interfere with the leg stand.

Mounting the saw to the leg stand (fig. E)

The mounting brackets are provided with rubber feet to facilitate a stable base in case you remove the saw assembly from the workstation.

- Lift the saw by the mounting brackets.
- Squeeze the levers (13) and place the saw onto the leg stand beam.
- Release the levers and check that the brackets are fully engaged with the beam.

Maintenance

Your attachment has been designed to operate over a long period of time with a minimum of maintenance. Continuous satisfactory operation depends upon proper tool care and regular cleaning.



Lubrication

Your attachment requires no additional lubrication.



Unwanted products and the environment

Take your attachment to an authorized DeWALT repair agent where it will be disposed of in an environmentally safe way.

GUARANTEE

• 30 DAY NO RISK SATISFACTION GUARANTEE •

If you are not completely satisfied with the performance of your DeWALT tool, simply return it within 30 days, complete as purchased, to the point of purchase, for a full refund or exchange. Proof of purchase must be produced.

• ONE YEAR FREE SERVICE CONTRACT •

If you need maintenance or service for your DeWALT tool, in the 12 months following purchase, it will be undertaken free of charge at an authorized DeWALT repair agent. Proof of purchase must be produced. Includes labour and spare parts for the attachments. Excludes accessories.

• ONE YEAR FULL WARRANTY •

If your DeWALT product becomes defective due to faulty materials or workmanship within 12 months from the date of purchase, we guarantee to replace all defective parts free of charge or, at our discretion, replace the unit free of charge provided that:

- The product has not been misused.
 - Repairs have not been attempted by unauthorized persons.
 - Proof of purchase date is produced.
- This guarantee is offered as an extra benefit and is additional to consumers statutory rights.

For the location of your nearest authorized DeWALT repair agent, please use the appropriate telephone number on the back of this manual. Alternatively, a list of authorized DeWALT repair agents and full details on our after-sales service are available on the Internet at www.2helpU.com.

Belgique et Luxembourg België en Luxemburg	DeWALT Mechelen Campus, Schaliënhoevedreef 20 ^F B-2800 Mechelen	Tel: +32 (0)015 - 15 47 9211 Fax: +32 (0)015 - 15 47 9210 www.dewaltbenelux.com
Danmark	DeWALT Hejrevang 26 B 3450 Allerød	Tlf: 70 20 15 30 Fax: 48 14 13 99 www.dewalt-nordic.com
Deutschland	DeWALT Richard-Klinger-Straße 65510 Idstein	Tel: 06126-21-1 Fax: 06126-21-2770 www.dewalt.de
Ελλάς	Black & Decker (Hellas) S.A. Στράβωνος 7 & Βουλιαγμένης 159 Γλυφάδα 16674, Αθήνα	Τηλ: (01) 8981-616 Φαξ: (01) 8983-570 Service: (01) 8982-630
España	DeWALT Parque de Negocios "Mas Blau" Edificio Muntadas, c/Bergadá, 1, Of. A6 08820 El Prat de Llobregat (Barcelona)	Tel: 934 797 400 Fax: 934 797 439
France	DeWALT Le Paisy BP 21, 69571 Dardilly Cedex	Tel: 472 20 39 72 Fax: 472 20 39 02
Helvetia Schweiz	DeWALT Suisse Rütistrasse 14 8952 Schlieren	Tel: 01 - 73 06 747 Fax: 01 - 73 07 067 www.dewalt.ch
Ireland	DeWALT Calpe House Rock Hill Black Rock, Co. Dublin	Tel: 00353-2781800 Fax: 00353-2781811
Italia	DeWALT Viale Elvezia 2 20052 Monza (Mi)	Tel: 0800-014353 Fax: 039-2387592
Nederland	DeWALT Florijnstraat 10 4879 AH Etten-Leur	Tel: 076 50 02 000 Fax: 076 50 38 184 www.dewalt.benelux.com
Norge	DeWALT Strømsveien 344 1011 Oslo	Tel: 22 99 99 00 Fax: 22 99 99 01 www.dewalt-nordic.com
Österreich	DeWALT Werkzeugevertriebs GmbH Erlaerstraße 165, Postfach 320,1231 Wien	Tel: 01 - 66116 - 0 Fax: 01 - 66116 - 14 www.dewalt.at
Portugal	DeWALT Rua Egas Moniz 173 João do Estoril, 2766-651 Estoril	Tel: 214 66 75 00 Fax: 214 66 75 75
Suomi	DeWALT Palotie 3 01610 Vantaa Brandvägen 3 01610 Vanda	Puh: 98 25 45 40 Fax: 98 25 45 444 www.dewalt-nordic.com Tel: 98 25 45 40 Fax: 98 25 45 444 www.dewalt-nordic.com
Sverige	DeWALT Box 603 421 26 Västra Frölunda, Besöksadr. Ekonomivägen 11	Tel: 031 68 61 00 Fax: 031 68 60 08 www.dewalt-nordic.com
Türkiye	DeWALT Merkez Mahallesi, Köyaltı Mevkii, Şahnur Sokak (OTTO Binası) 34530 Yenibosna/İstanbul (PBX)	Tel: 021 26 39 06 26 Faks: 021 26 39 06 35
United Kingdom	DeWALT 210 Bath Road Slough, Berks SL1 3YD	Tel: 01753-56 70 55 Fax: 01753-57 21 12